



Electro-Pneumatic Positioner TS600 Series

- Simple zero and span adjustment
- Easy 1/2 split range setting
- Auto / Manual switch
- IP66 Weather proof

Electro-Pneumatic Positioner TS600L (Linear type)

Description

TS600 Electro-Pneumatic Positioner controls the valve stroke in response to an input signal of 4-20mA from the control panel, DCS, or calibrator.



Features

- + Fast response time, durability, and excellent stability
- + Simple zero and span adjustment
- + IP 66 enclosure
- + Strong anti vibration performance
- + By-pass valve (A/M switch) installed
- + Air connection part is designed for detachability and it can be changed PT/NPT tapping threads in the field easily

Installation example



Internal structure



Electro-Pneumatic Positioner TS600L (Linear type)

Specifications

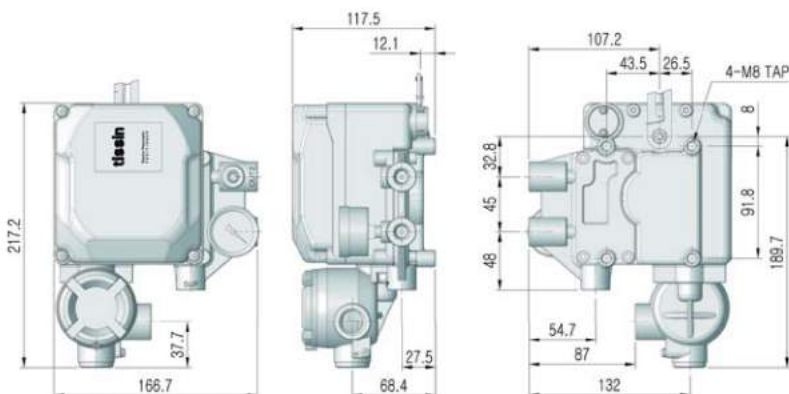
Model	TS600L(Single)	TS600L(Double)
Input signal	4~20mA DC	
Impedance	250 ±15Ω	
Supply pressure	0.14~0.7MPa	
Stroke	10~100mm	
Air connection	PT1/4, NPT1/4	
Gauge connection	PT1/8, NPT1/8	
Conduit	G(PF)1/2, NPT1/2	
Explosion proof type	Non-explosion proof Ex dmb IIB T5/T6, Ex dmb IIC T5/T6 Ex ia IIC T6	
Enclosure	IP66	
Ambient Temp.	Operating Temp.	-20°C~70°C (Standard type) -40°C~70°C(Option) -20°C~120°C(Option)
	Explosion proof	-40°C~60°C(T5) / -40°C~40°C(T6)
Linearity	±1.0% F.S.	±2.0% F.S.
Sensitivity	±0.2% F.S.	±0.5% F.S.
Hysteresis	±1.0% F.S.	
Repeatability	±0.5% F.S.	
Air consumption	Below 2.5LPM (Sup=0.14MPa)	
Flow capacity	Over 80LPM (Sup=0.14MPa)	
Material	Aluminum die cast	
Weight	2.8kg	

Product number

Model	TS600	L			
Acting type	Linear type	L			
Explosion proof type	Non-explosion proof	N			
	Ex dmb IIB T5/T6	B			
	Ex dmb IIC T5/T6	C			
	Ex ia IIC T5/T6	A			
Connection	Conduit entry	Air connection			
	G1/2	PT1/4	1		
	G1/2	NPT1/4	2		
	NPT1/2	NPT1/4	3		
Lever type	10 ~ 40mm		1		
	40 ~ 70mm		2		
	70 ~ 100mm		3		
	100~ 150mm		4		
Ambient Temp.	-20°C~70°C			S	
	-20°C~120°C *			H	
	-40°C~70°C			L	
Option	None (Standard type)				0
	4~20mA Position transmitter (Positioner is RA type) *				1
	4~20mA Position transmitter (Positioner is DA type) *				2

* Must be Non-explosion proof type.

Dimension [Unit:mm]



Smart type position transmitter (Option code No.1)



Electro-Pneumatic Positioner TS600R (Rotary type)

Discription

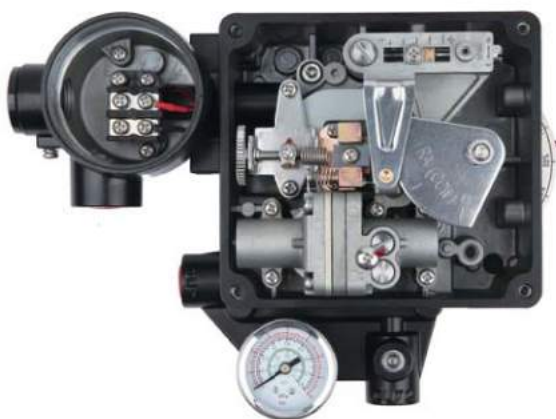
TS600 Electro-Pneumatic Positioner controls the valve stroke in response to an input signal of 4-20mA from the control panel, DCS, or calibrator.



Features

- + Fast response time, durability, and excellent stability
- + Simple zero and span adjustment
- + IP 66 enclosure
- + Strong anti vibration performance
- + By-pass valve (A/M switch) installed
- + Air connection part is designed for detachability and it can be changed PT/NPT tapping threads in the field easily

Internal structure



Options



TS600R with Position transmitter
(Option code No.1)



TS600R with Limit switch
(Option code No.2 or No.4)



TS600R with Limit switch
(Option code No.3)

Electro-Pneumatic Positioner TS600R (Rotary type)

Specifications

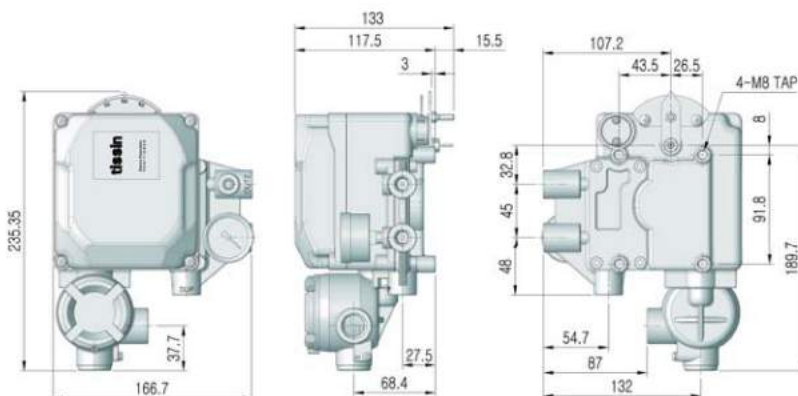
Model	TS600R(Single)	TS600R(Double)
Input signal	4~20mA DC	
Impedance	250 ±15Ω	
Supply pressure	0.14~0.7MPa	
Stroke	0~90°	
Air connection	PT1/4, NPT1/4	
Gauge connection	PT1/8, NPT1/8	
Conduit	G(PF)1/2, NPT1/2	
Explosion proof type	Non-explosion proof Ex dmb IIB T5/T6, Ex dmb IIC T5/T6 Ex ia IIC T6	
Enclosure	IP66	
Ambient Temp.	Operating Temp.	-20°C~70°C (Standard type) -40°C~70°C (Option) -20°C~120°C(Option)
	Explosion proof	-40°C~60°C(T5) / -40°C~40°C(T6)
Linearity	±1.0% F.S.	±2.0% F.S.
Sensitivity	±0.2% F.S.	±0.5% F.S.
Hysteresis	±1.0% F.S.	
Repeatability	±0.5% F.S.	
Air consumption	Below 2.5LPM (Sup=0.14MPa)	
Flow capacity	Over 80LPM (Sup=0.14MPa)	
Material	Aluminum die cast	
Weight	2.8kg	

Product number

Model	TS600	R				
Acting type	Rotary type	R				
Explosion proof type	Non-explosion proof	N				
	Ex dmb IIB T5/T6	B				
	Ex dmb IIC T5/T6	C				
	Ex ia IIC T5/T6	A				
Connection	Conduit entry	Air connection				
	G1/2	PT1/4	1			
	G1/2	NPT1/4	2			
	NPT1/2	NPT1/4	3			
Lever type	M6 x 34L				1	
	NAMUR				5	
Ambient Temp.	-20°C~70°C					S
	-20°C~120°C *					H
	-40°C~70°C					L
Options	None (Standard type)					0
	Position transmitter(4~20mA) *					1
	With Limit switch *					2
	With Limit switch (Explosion proof type)					3
	With Position transmitter and Limit switch *					4
	With Position transmitter and Limit switch (Explosion proof type)					5
With external Limit switch mounting device						6

* Must be non-explosion proof type.

Dimension [Unit:mm]



Smart type position transmitter (Option code No.1)





Solutions for control valve system

Tissin

티씬

201-905, No 397, Seokchen-ro, Ojeong-gu,
Bucheon-si, Gyeonggi-do, Korea 14449

Tel : +82-1522-4460 Fax : +82-32-724-0602

www.tissinkorea.com



Version: TS600EN_9/2017

We reserve the right to make technical changes or modify
the contents of this document without prior notice.

Copyright © 2017 Tissin
All rights reserved.

Printed in Korea